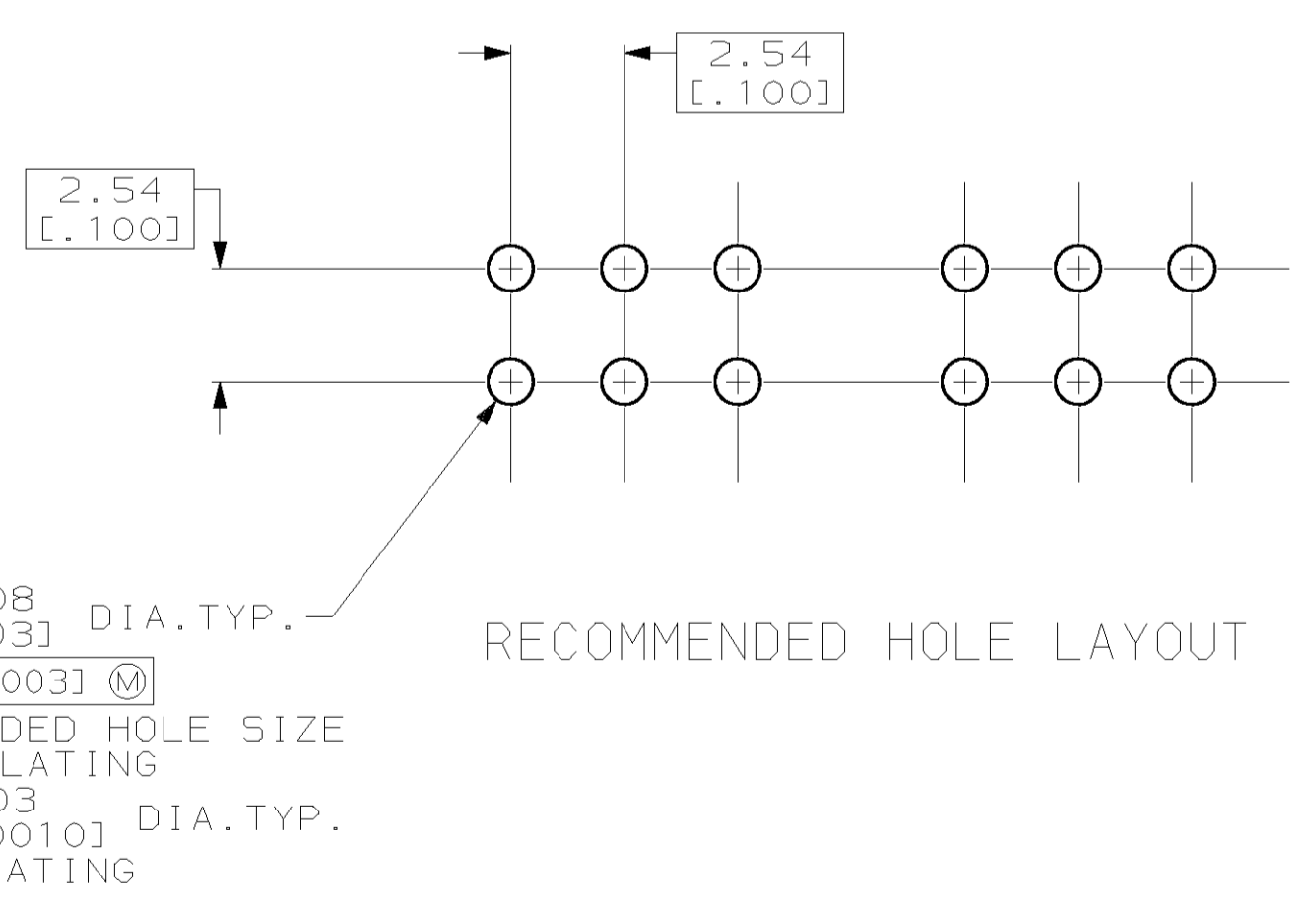
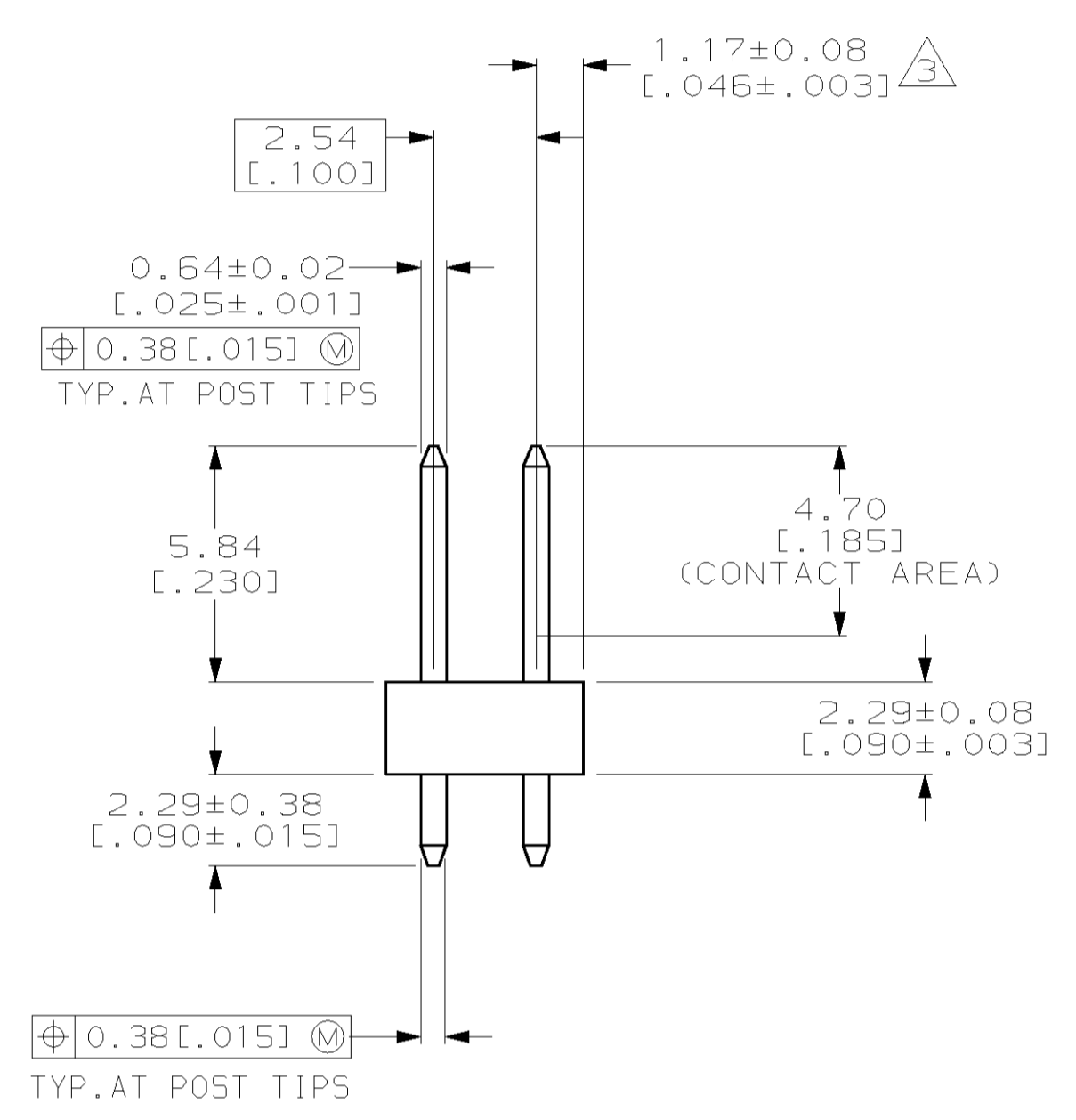
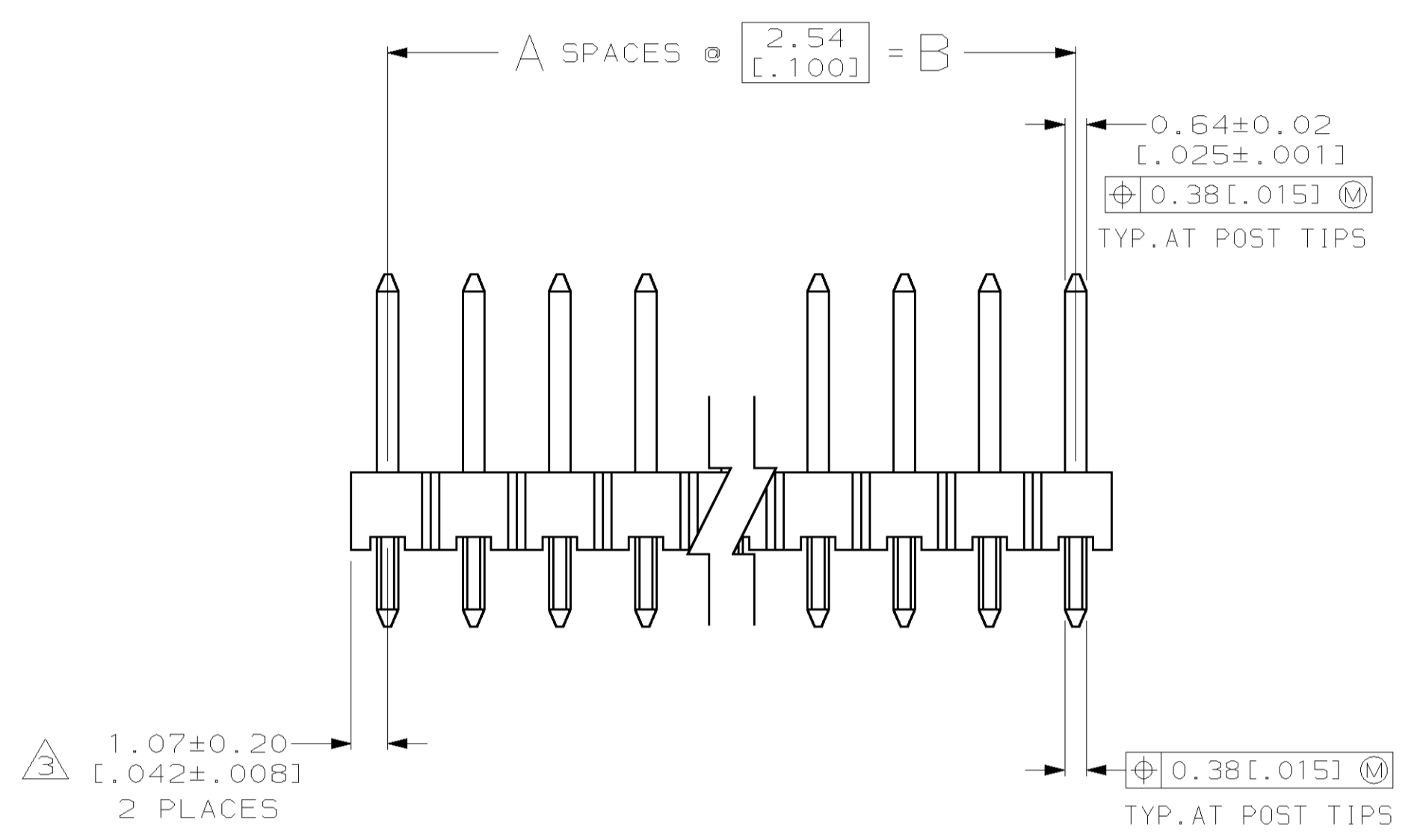
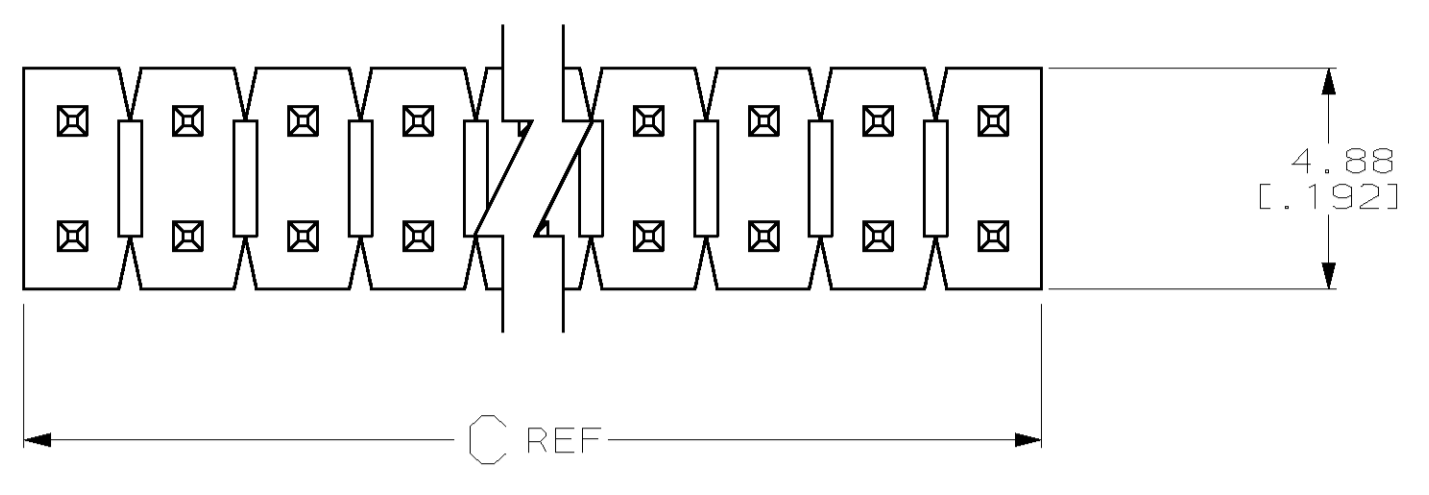


LOC	DIST	REV	DATE	BY	APP'D
AD	39				
C			REV PER EC	OG3C-0149-01	18APR01 MB JG

- ASSEMBLY MAY BE BROKEN TO THE DESIRED NUMBER OF POSITIONS.
 - TRUE POSITION TOLERANCE OF THE POST TIPS APPLIES WHEN THE HEADER IS HELD FLAT AGAINST THE PRINTED CIRCUIT BOARD.
- ③ THE NOTED DIMENSIONS APPLY AT THE INTERSECTION OF THE POST AND HOUSING.
- ④ FINISH: 0.000127 [.000005] GOLD IN CONTACT AREA, 0.00254-0.00508 [.000100-.000200] TIN-LEAD ON SOLDER TAIL, ALL OVER 0.00127 [.000050] NICKEL.



101.19 [3.984]	99.06 [3.900]	39	80	4-146443-0
98.65 [3.884]	96.52 [3.800]	38	78	3-146443-9
96.11 [3.784]	93.98 [3.700]	37	76	3-146443-8
93.57 [3.684]	91.44 [3.600]	36	74	3-146443-7
91.03 [3.584]	88.90 [3.500]	35	72	3-146443-6
88.49 [3.484]	86.36 [3.400]	34	70	3-146443-5
85.95 [3.384]	83.82 [3.300]	33	68	3-146443-4
83.41 [3.284]	81.28 [3.200]	32	66	3-146443-3
80.87 [3.184]	78.74 [3.100]	31	64	3-146443-2
78.33 [3.084]	76.20 [3.000]	30	62	3-146443-1
75.79 [2.984]	73.66 [2.900]	29	60	3-146443-0
73.25 [2.884]	71.12 [2.800]	28	58	2-146443-9
70.71 [2.784]	68.58 [2.700]	27	56	2-146443-8
68.17 [2.684]	66.04 [2.600]	26	54	2-146443-7
65.63 [2.584]	63.5 [2.500]	25	52	2-146443-6
63.09 [2.484]	60.96 [2.400]	24	50	2-146443-5
60.55 [2.384]	58.42 [2.300]	23	48	2-146443-4
58.01 [2.284]	55.88 [2.200]	22	46	2-146443-3
55.47 [2.184]	53.34 [2.100]	21	44	2-146443-2
52.93 [2.084]	50.80 [2.000]	20	42	2-146443-1
50.39 [1.984]	48.26 [1.900]	19	40	2-146443-0
47.85 [1.884]	45.72 [1.800]	18	38	1-146443-9
45.31 [1.784]	43.18 [1.700]	17	36	1-146443-8
42.77 [1.684]	40.64 [1.600]	16	34	1-146443-7
40.23 [1.584]	38.10 [1.500]	15	32	1-146443-6
37.69 [1.484]	35.56 [1.400]	14	30	1-146443-5
35.15 [1.384]	33.02 [1.300]	13	28	1-146443-4
32.61 [1.284]	30.48 [1.200]	12	26	1-146443-3
30.07 [1.184]	27.94 [1.100]	11	24	1-146443-2
27.53 [1.084]	25.40 [1.000]	10	22	1-146443-1
24.99 [.984]	22.86 [.900]	9	20	1-146443-0
22.45 [.884]	20.32 [.800]	8	18	146443-9
19.91 [.784]	17.78 [.700]	7	16	146443-8
17.37 [.684]	15.24 [.600]	6	14	146443-7
14.83 [.584]	12.70 [.500]	5	12	146443-6
12.29 [.484]	10.16 [.400]	4	10	146443-5
9.75 [.384]	7.62 [.300]	3	8	146443-4
7.21 [.284]	5.08 [.200]	2	6	146443-3
4.67 [.184]	2.54 [.100]	1	4	146443-2
2.13 [.084]	-	0	2	146443-1
C	B	A	NO. OF POSITIONS	PART NUMBER

THIS DRAWING IS A CONTROLLED DOCUMENT AND IS UNPUBLISHED. IT IS SUBJECT TO CHANGE AND THE CONTROLLING ENGINEERING ORGANIZATION SHALL BE CONTACTED FOR THE LATEST REVISION.		DWN I. I. HOFFMAN 9/19/95 CHK G. DUBNICZKI 9/20/95 APP'D G. DUBNICZKI 9/20/95	AMP Incorporated Harrisburg, PA 17105-3608
DIMENSIONS: mm TOLERANCES UNLESS OTHERWISE SPECIFIED: 0 PLC ±.01 1 PLC ±0.01 2 PLC ±0.0127 [.005] 3 PLC ±0.0127 [.005] 4 PLC ±0.0127 [.005] ANGLES ±.005	FINISH: ④ MATERIAL: POST: PHOSPHOR BRONZE	PRODUCT SPEC: - APPLICATION SPEC: - WEIGHT: - CUSTOMER DRAWING	NAME: HEADER ASSEMBLY, MOD II, BREAKAWAY, DOUBLE ROW, .100 X.100, VERTICAL, .025 SQ. POST. SIZE: A1 CAGE CODE: 00779 DRAWING NO: C-146443 SCALE: 4:1 SHEET: 1 OF 1 REV: C